

# Hardware - Removable Grilles




Designed To Work In Harmony  
With Creative Millwork Grilles

Creative Millwork has been a leader in the development of concealed hardware - a state-of-the-art concept in aesthetically pleasing and high quality grille installation. As with other selections in our versatile line, this hardware is easy to choose, easy to install, providing the simple installation and snug fit you desire. Our hardware works in complete harmony with Creative Millwork grilles, helping furnish strength, durability and long-lasting style. It also demonstrates our commitment to providing the innovative ideas and cost-effective solutions which meet the needs of our customers.

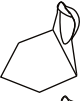

## Concealed Hardware Series For Frame Surround Or KD Polypacks

Premiere state-of-the-art series offering inherent invisibility without perforating glass stop. Each option engineered for a specific window design and grille application.

### Circle Back Style

HDW 901 Tool No. 940		Dual Small Notch In Short Base
HDW 903 Tool No. 940		Dual Large Notch In Short Base
HDW 902 Tool No. 940		Dual Large Notch In Long Base



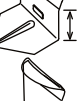
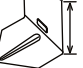
### Tear Drop Back Style

HDW 905 Tool No. 942		Flat Base
HDW 906 Tool No. 942		Hump Base With Aperture

### Brass Tack Style

HDW 908 Tool No. 943		Rounded Head, 1/4-Inch Tack
-------------------------	---	--------------------------------

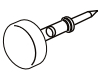
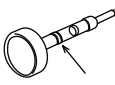

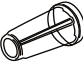
### Fold Back Style

HDW 910 Tool No. 942		Flat Base, 1/8-Inch Leg
HDW 918 Tool No. 942		Wedge Base, 1/8-Inch Leg
HDW 909 Tool No. 940		Wedge Base, 1/4-Inch Leg
HDW 917 Small screwdriver may be used for insertion in leg indent.		Wedge Base, 3/8-Inch Leg

Also available: CMO 913 / CMO 920 call Customer Support For More Info

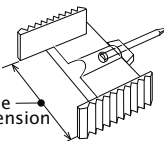
## Pin And Bushing Hardware Series For Frame Surround

Traditional attachment method with staying power holds grilles solidly in place. Excellent option for fixed and custom units. Somewhat visible.

HDW 911XL		Clear Plastic Head .750-Inch Steel Pin	HDW 915		Non-Locking Pin Clear Plastic Head 1-Inch Plastic/Steel
HDW 912		Clear Plastic Bushing With Screw-Type Grooving	HDW 916		Clear Plastic Bushing With Vertical Grooving

## Slide Hardware Series For KD Polypacks Without Frame Surround

A tailored fit for grilles without surrounding frame. Clear plastic slide with serrated double ears and steel pin is easy to insert with the appropriate slot already in the grille bars.

HDW 927	5/8-Inch Slide		HDW 936	3/4-Inch Slide
HDW 928	7/8-Inch Slide		HDW 935	1-Inch Slide
			HDW 946	1 1/4-Inch Slide



Phone: 888-759-7121  
Fax: 440-992-7867